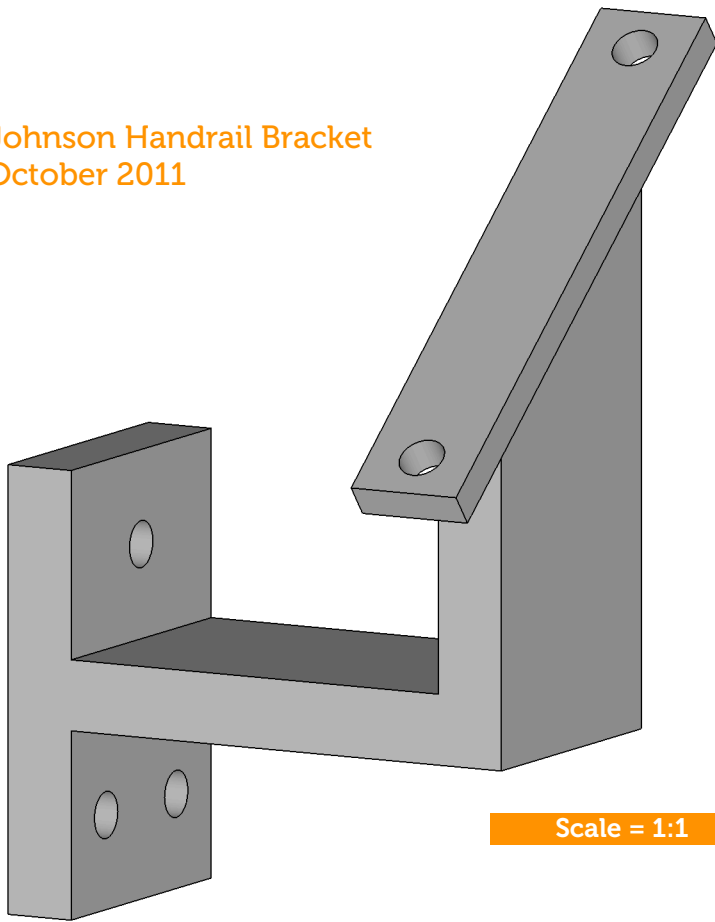
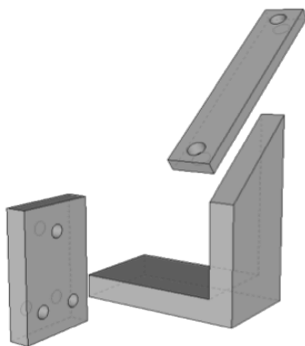


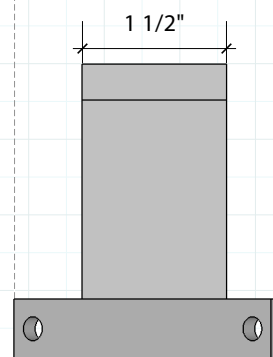
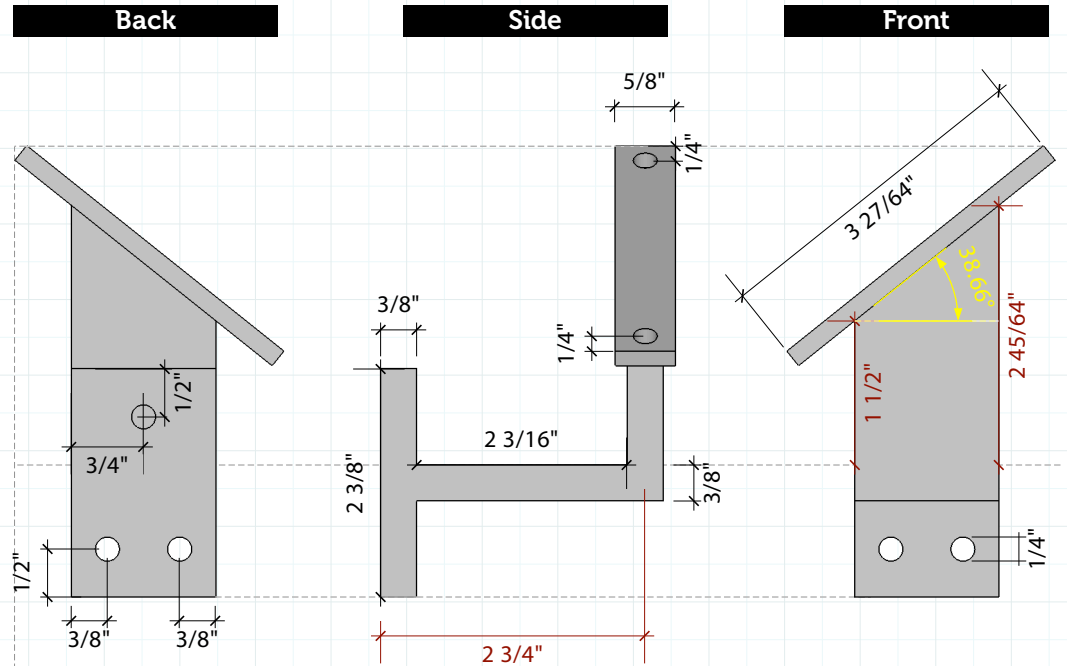
Johnson Handrail Bracket  
October 2011



Scale = 1:1



Exploded



Top

Scale = 1:2

Detailed Specifications

- Quantity: 4 brackets in order to hang 2 handrails
- Material = 3/8" thick steel
- 3 pieces welded together:
  - 1) Flange that gets screwed to wall
  - 2) L-support welded to flange & rail mount (Ok to bend 3/8" steel 90°?)
  - 3) Rail mount welded to L piece & screwed to handrail
- Finish: Wire brushed, spray lacquer
- Critical dimensions (shown above in red)
  - From wall to center line of support piece = 2 3/4"
  - Rise over run ratio = 4:5 (1.2":1.5")
- 1/4" diameter screw holes
- Plus countersink taper (not shown)